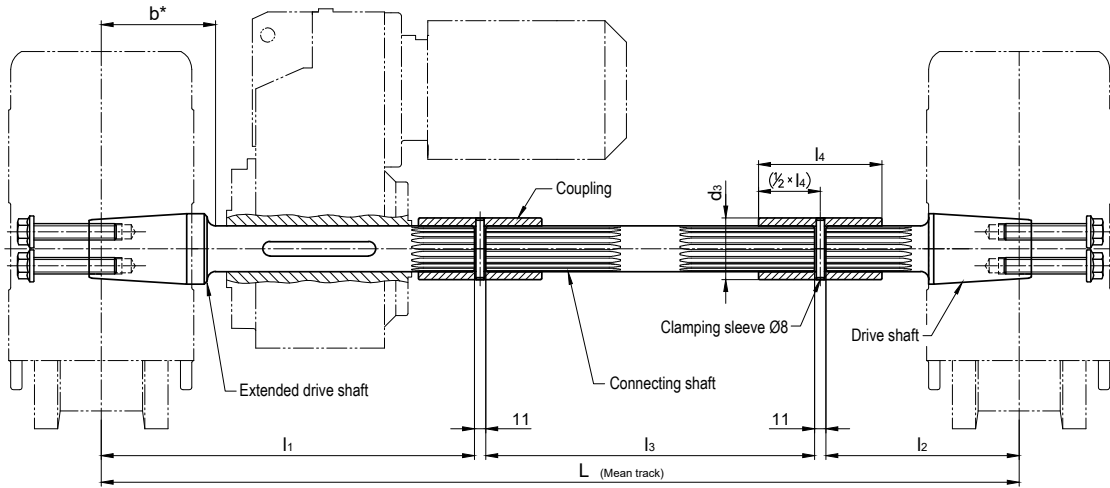


# ATLAS WHEEL BLOCK SYSTEM RB 400

Drive shafts suitable for slip-on gear mechanisms from other manufacturers on request.

## Central drive unit

Both wheel blocks are driven with only one gear motor  
(Splined-shaft profile, feather key connection and shrink disc attachment)



For gearboxes with hollow shaft and feather key connection in acc. with DIN 6885

Suitable for gearboxes with hollow shaft		L	I1	I2	I3	b* without gearbox stop	Feather key DIN 6885	Coupling Internal gearing/ d3 x I4
Inner-Ø	Length							
Ø50	≤ 275 <sup>1)</sup> ≤ 230 <sup>2)</sup>	For ordering, please provide	470	203	Dimension L minus 695	125	A 14 x 9 x 110	N50 x 2 x 24 Ø65 x 120
Ø60	≤ 300 <sup>1)</sup> ≤ 255 <sup>2)</sup>		490	203	Dimension L minus 715	126	A 18 x 11 x 140	N50 x 2 x 24 Ø65 x 120
Ø70	≤ 350 <sup>1)</sup> ≤ 310 <sup>2)</sup>		555	203	Dimension L minus 780	130	A 20 x 12 x 160	N65 x 2 x 31 Ø80 x 125

\* Drive shafts without gearbox stop!

Dimension b = Smallest possible distance from the centre of the wheel block to the hollow drive shaft

1) at smallest possible distance of the gearbox (b)

2) at distance of the gearbox = 170 mm

Drive shafts with gearbox stop on request.

Suitable for gearboxes of the following manufacturers:

Siemens Motox (Flender), Bauer (Danfoss), KEB, Lenze, Nord, PREMIUM STEPHAN, SEW, Siemens, Stöber, Demag

Et.al. suitable type designations, refer to the single drive unit.