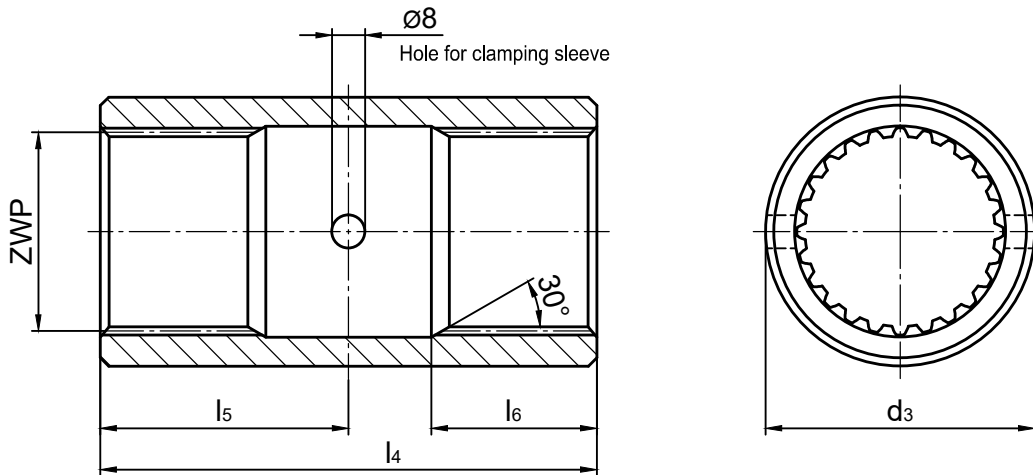


ACCESSOIRES

Coupling for central drive units

Hole with splined-shaft profile in accordance with DIN 5480



Splined-shaft profile DIN 5480 (9H)	d3	l4	l5	wl6
N 30 x 1.25 x 22	40	80	40	27.5
N 30 x 2 x 14	40	80	40	27.5
N 35 x 1.25 x 26	50	100	50	44
N 35 x 2 x 16	50	100	50	35
N 40 x 2 x 18	55	100	50	32
N 45 x 2 x 21	60	120	60	50
N 50 x 2 x 24	65	120	60	40
N 60 x 2 x 28	75	125	62.5	47.5
N 65 x 2 x 31	80	125	62.5	50
N 70 x 2 x 34	90	135	67.5	50
N 75 x 3 x 24*	95	145	72.5	52.5
N 80 x 3 x 25*	100	150	75	55
N 85 x 3 x 27*	110	160	80	57.5
N 90 x 3 x 28*	115	170	85	60

* available on request