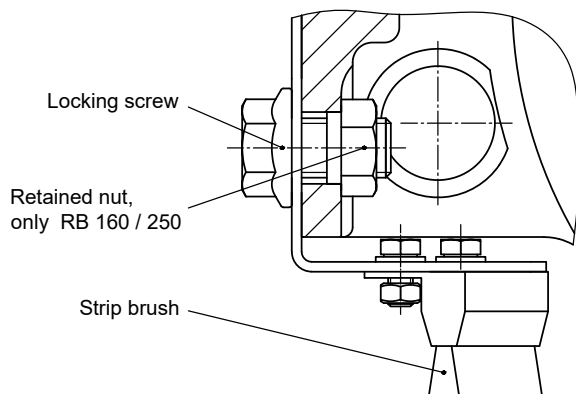


## ACCESSOIRES

### Rail cleaning system für Wheel block RB 160 – 400

The in height-adjustable rail cleaning system is supplied mounted on the wheel block. The ledge brush, with fibres made of brass wire, is arranged at an angle to discharge dirt on the side of the rail.

The installation of a cellular plastic buffer is possible by using additional spacer discs.



Bottom view (cutout)

