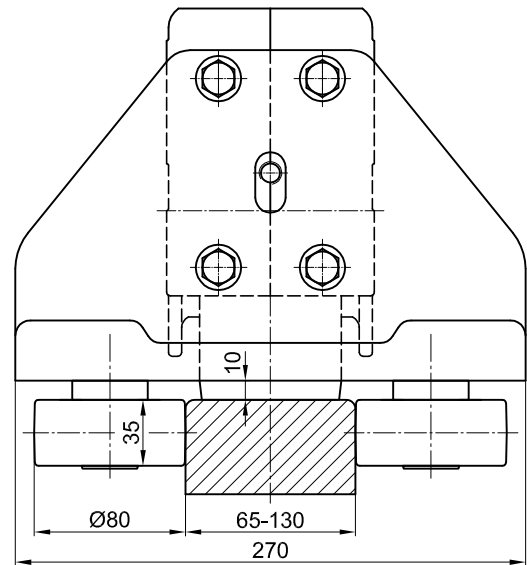
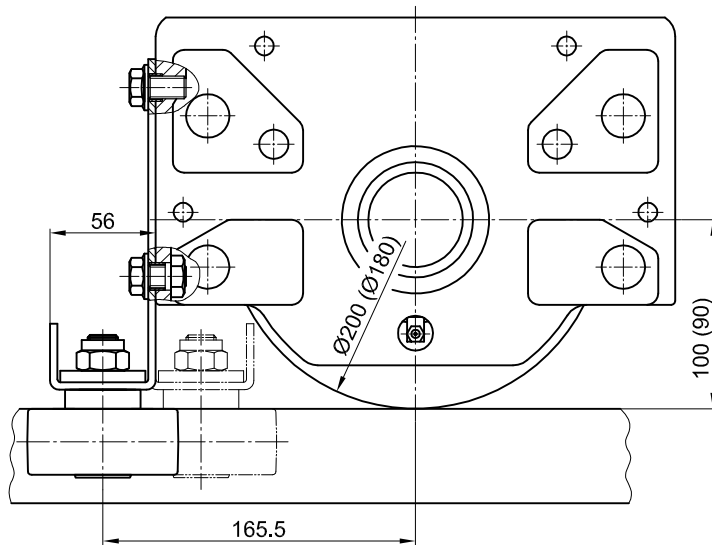


ATLAS WHEEL BLOCK SYSTEM RB 160

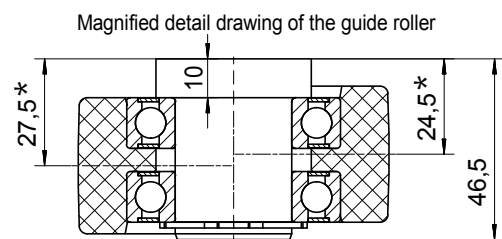
Horizontal roller guide for wheels of Ø200 and Ø180 with coating made of vulkollan or PA12G

Horizontal roller guide with adjustable guide rollers made of PA12G.

The installation of a cellular plastic buffer is possible by using an additional spacer discs.



Acceptable continuous load: 450 kg
Maximum short-term load: 700 kg



By turning the unsymmetrical guide roller, two clearances* can be adjusted.

All necessary fastening elements are included in the scope of delivery.

Horizontal roller guide for other rail profiles are available on request.