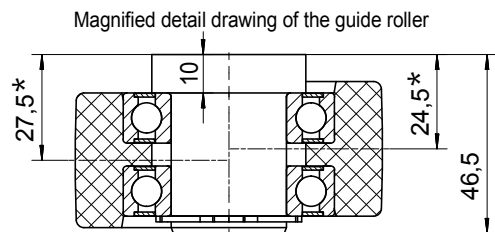
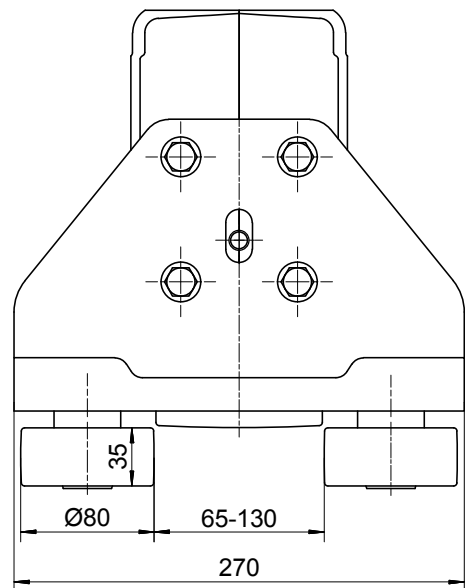
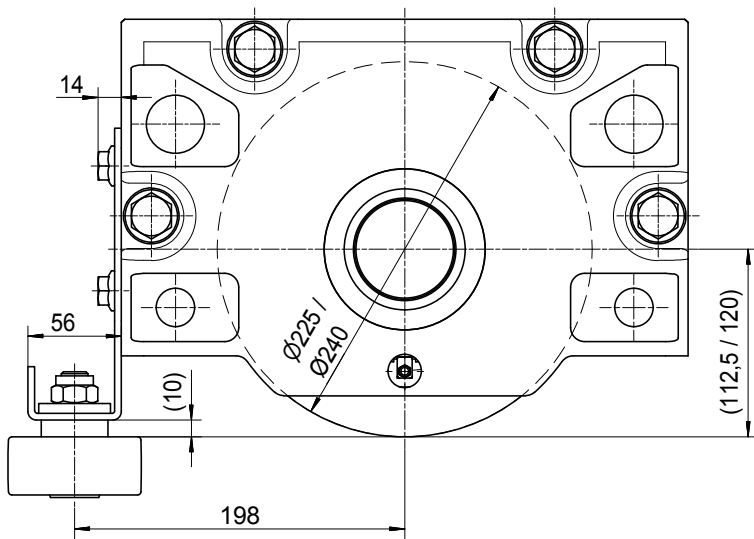


# ATLAS WHEEL BLOCK SYSTEM RB 200

## Horizontal roller guide for wheels of $\varnothing 225$ and $\varnothing 240$ with coating made of vulkollan or PA12G

Horizontal roller guide with adjustable guide rollers made of PA12G.

The installation of a cellular plastic buffer is possible by using an additional spacer discs.



**Acceptable horizontal load: max. 480 kg**

By turning the unsymmetrical guide roller, two clearances\* can be adjusted.

All necessary fastening elements are included in the scope of delivery.

**Horizontal roller guide for other rail profiles are available on request.**