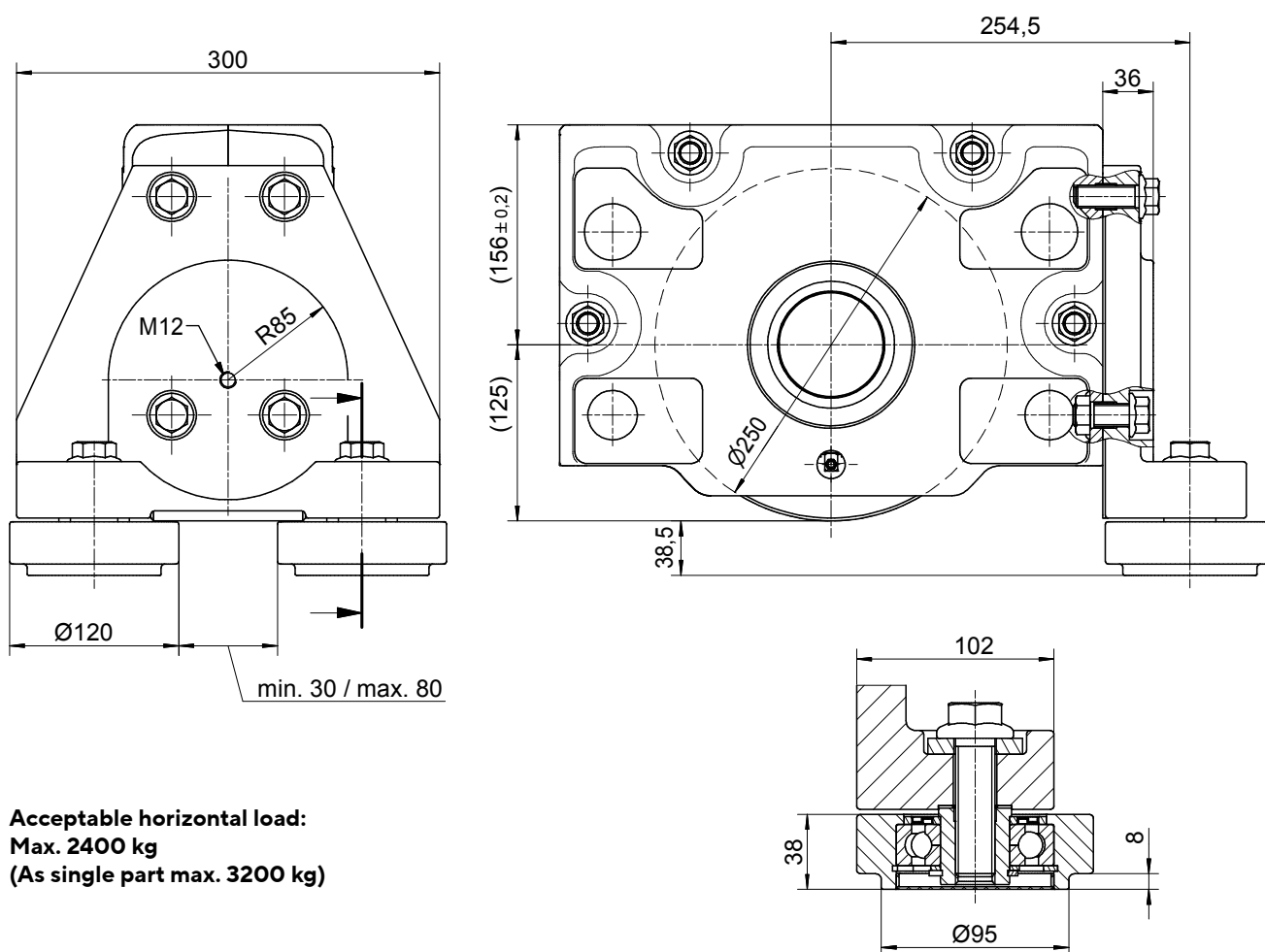
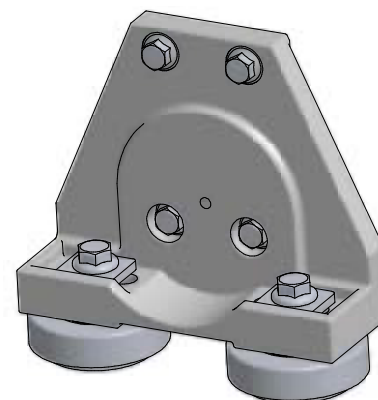


ATLAS WHEEL BLOCK SYSTEM RB 250

Horizontal roller guide for wheels of $\text{Ø}250$ (Form 1-5)

Horizontal roller guide with adjustable guide rollers made of 42CrMo4+QT.

The installation of a cellular plastic buffer (page 144) is possible without spacer discs. Parallel operating wheel blocks without horizontal roller guide can be installed with spacer discs for length compensation (see fig.).



Acceptable horizontal load:
Max. 2400 kg
(As single part max. 3200 kg)

All necessary fastening elements are included in the scope of delivery.

Horizontal roller guide for other rail profiles are available on request.