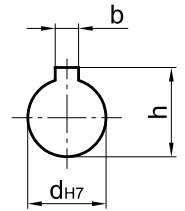
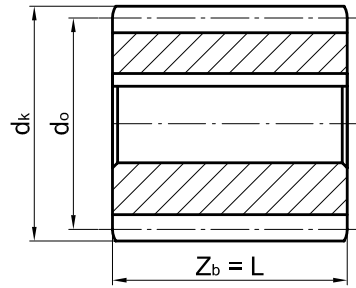
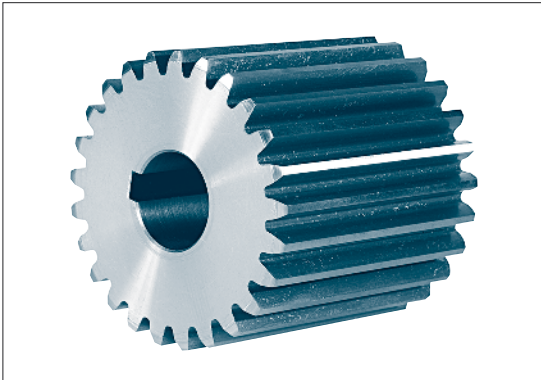


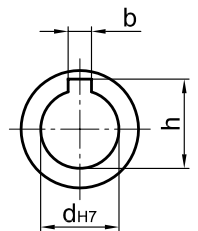
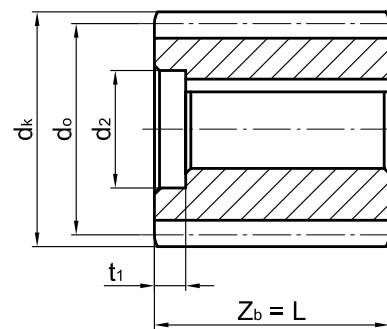
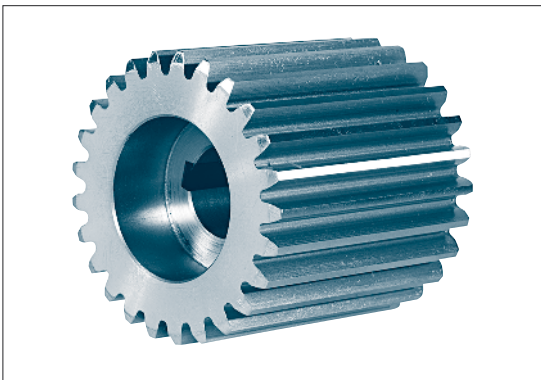
# Pinions

**KG 010.5**

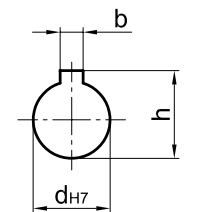
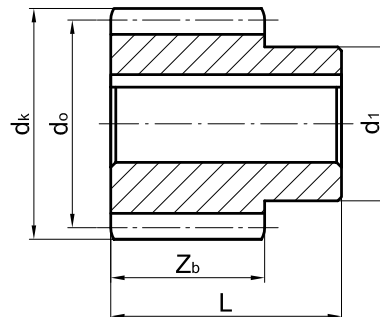
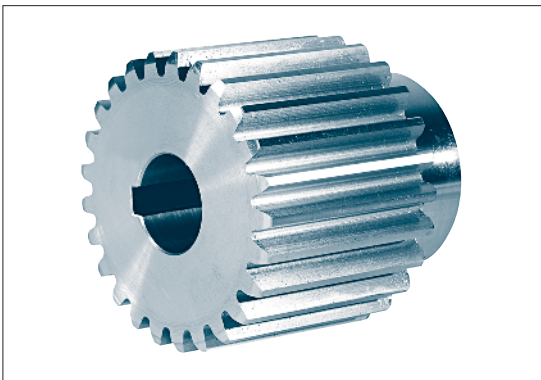
**Form 1**



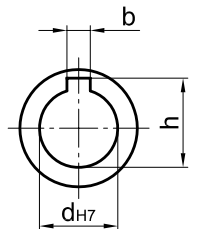
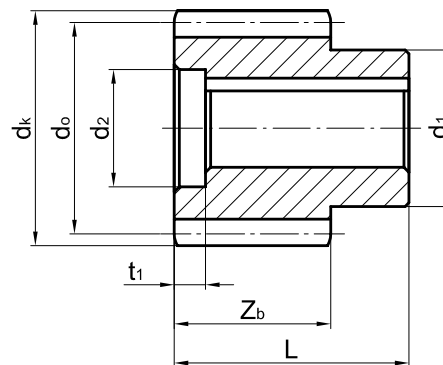
**Form 2**



**Form 3**



**Form 4**



Designation of a pinion form 1, module 3, number of teeth 18, length  $L = 60$  mm, bore- $\varnothing d = 20$  H7 with feather keyway according to DIN 6885-1:

**Module:** 2-15  
**Minimum number of teeth:** 12  
 $d_{min} =$  16 H7  
**Material:** C45 or 42CrMo4+QT

**Pinions 3 × 18 × 60 × 20 H7 KG 10.5 form 1**

All dimensions and material to be stated with order.