

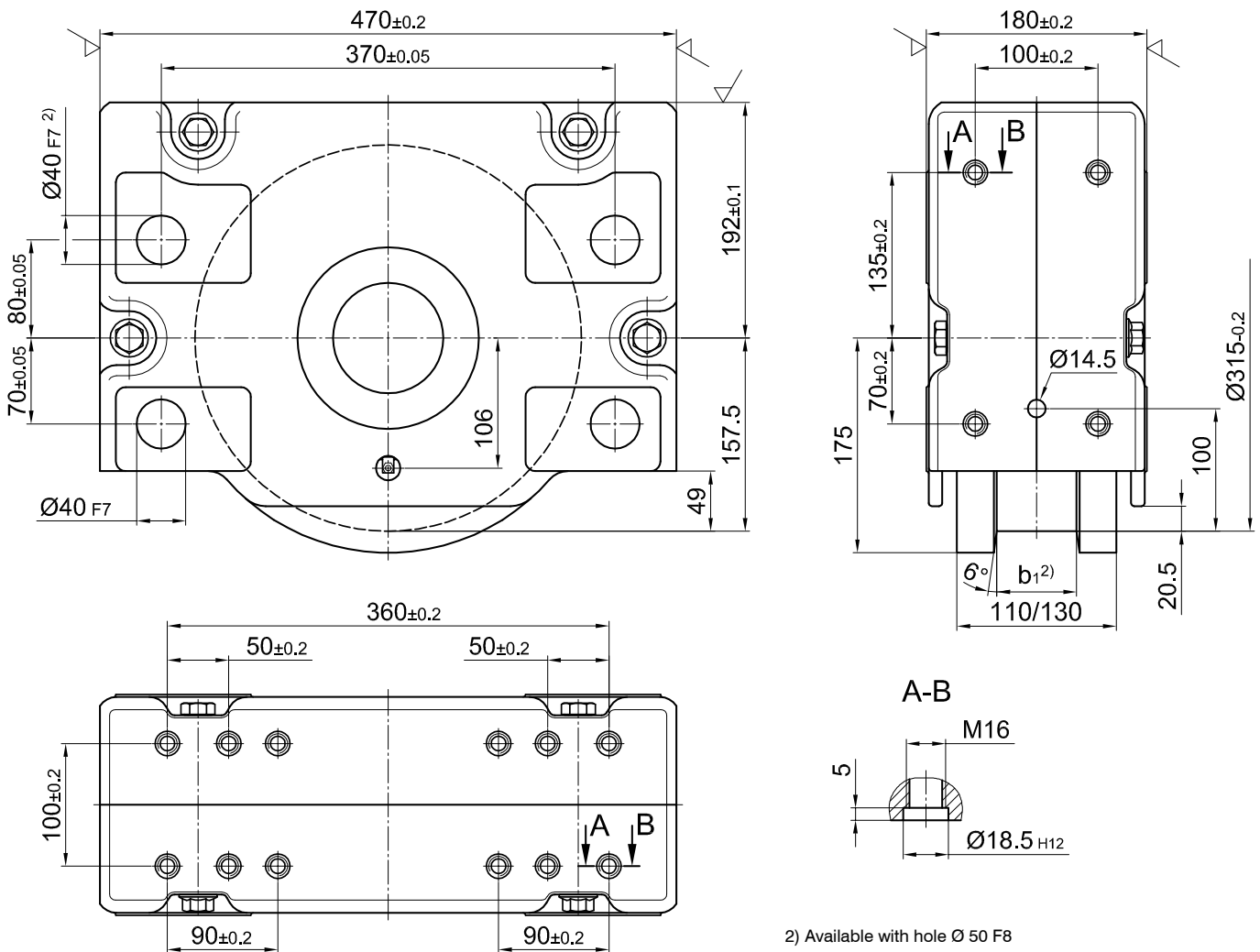
---

**Wheel block**

**RB 315**

# Wheel block RB 315

## Primary dimensions



2) Available with hole  $\text{Ø} 50$  F8

Weight: ca. 95 bzw. 100 kg  
max. wheel load: 22 000 kg

## Ordering examples

### RBA 315×65

Wheel block 315, driven, with internal taper, with two-sided wheel flange, design Form 1, running tread 65 mm

### RBN 315×65

Wheel block 315, non-driven, without internal taper, with two-sided wheel flange design Form 1, running tread 65 mm

### RBA 315×75

Wheel block 315, driven, with internal taper, with two-sided wheel flange, design Form 1, groove track 75 mm,  $b_2 = 130$  mm

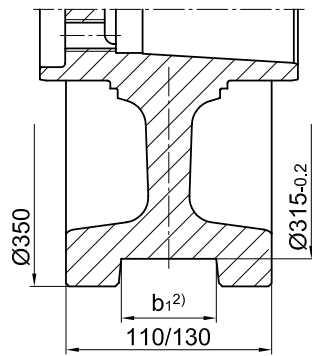
### RBA 315

Wheel block 315, driven, with internal taper, with middle wheel flange, design Form 12

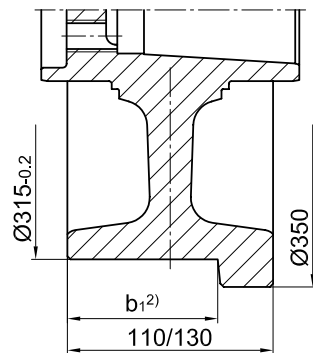
Design RBA and RBN refer to Page 5

# Wheel block RB 315

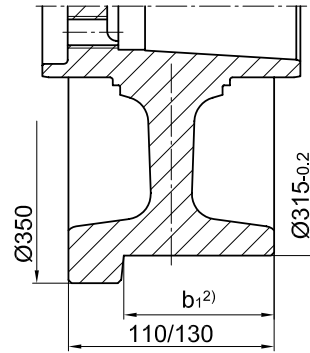
## Standard models



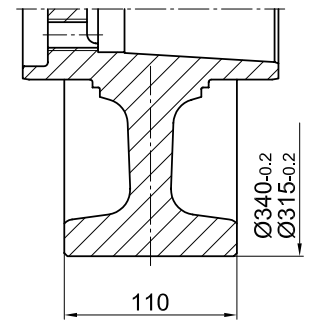
**Form 1**  
two-sided wheel flange



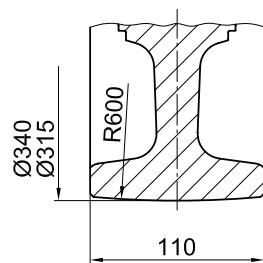
**Form 2<sup>1)</sup>**  
one-sided wheel flange  
on the drive side



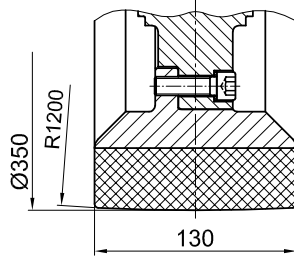
**Form 3<sup>1)</sup>**  
one-sided wheel flange  
opposite to the drive side



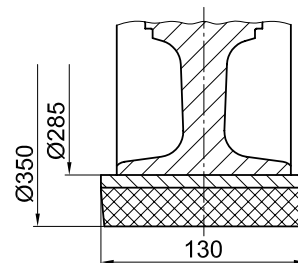
**Form 4**  
no wheel flanges with  
cylindrical running surface



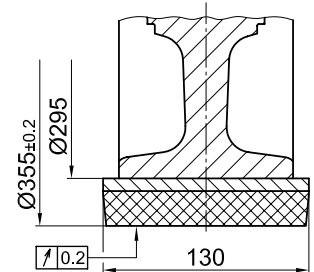
**Form 5**  
no wheel flanges with  
spherical running surface



**Form 6**  
with coating  
of PA 12 G

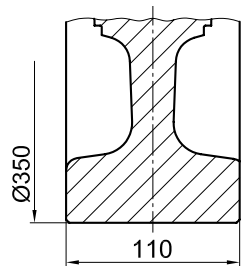


**Form 8**  
with binding  
of Vulkollan,  
standard design

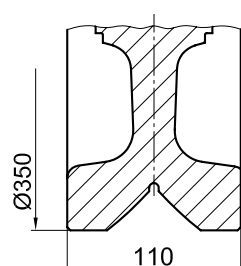


**Form 8S**  
with binding  
of Vulkollan,  
special design

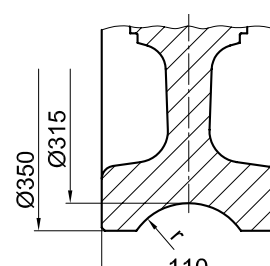
## Special models



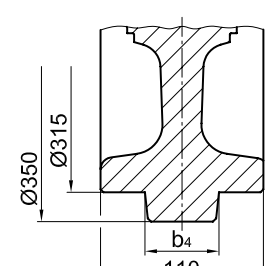
**Form 9**  
no wheel flanges



**Form 10**  
with prismatic guide



**Form 11**  
with concave groove  
 $r = 1,1 \times$  track radius  
(recommended)



**Form 12**  
with middle wheel flange

Form 1			Form 2 and 3	
Running tread $b_1$ , or two-sided wheel flange			Running tread $b_1$ , or one-sided wheel flange	
minimal	maximal	Standard	minimal	maximal
30	100	65; 80	70	115

1) Forms 2 and 3 are identical for the non-driven wheel block RBN

2) At a running tread  $b_1 \leq 70$  and 90 (one-sided wheel flange) a wheel with a width of 110 mm will be used

# Wheel block RB 315

## Connection options

### Top connection KA 315.1

Precisely fitted direct attachment as bolted connection (welded construction, roll section, etc.)

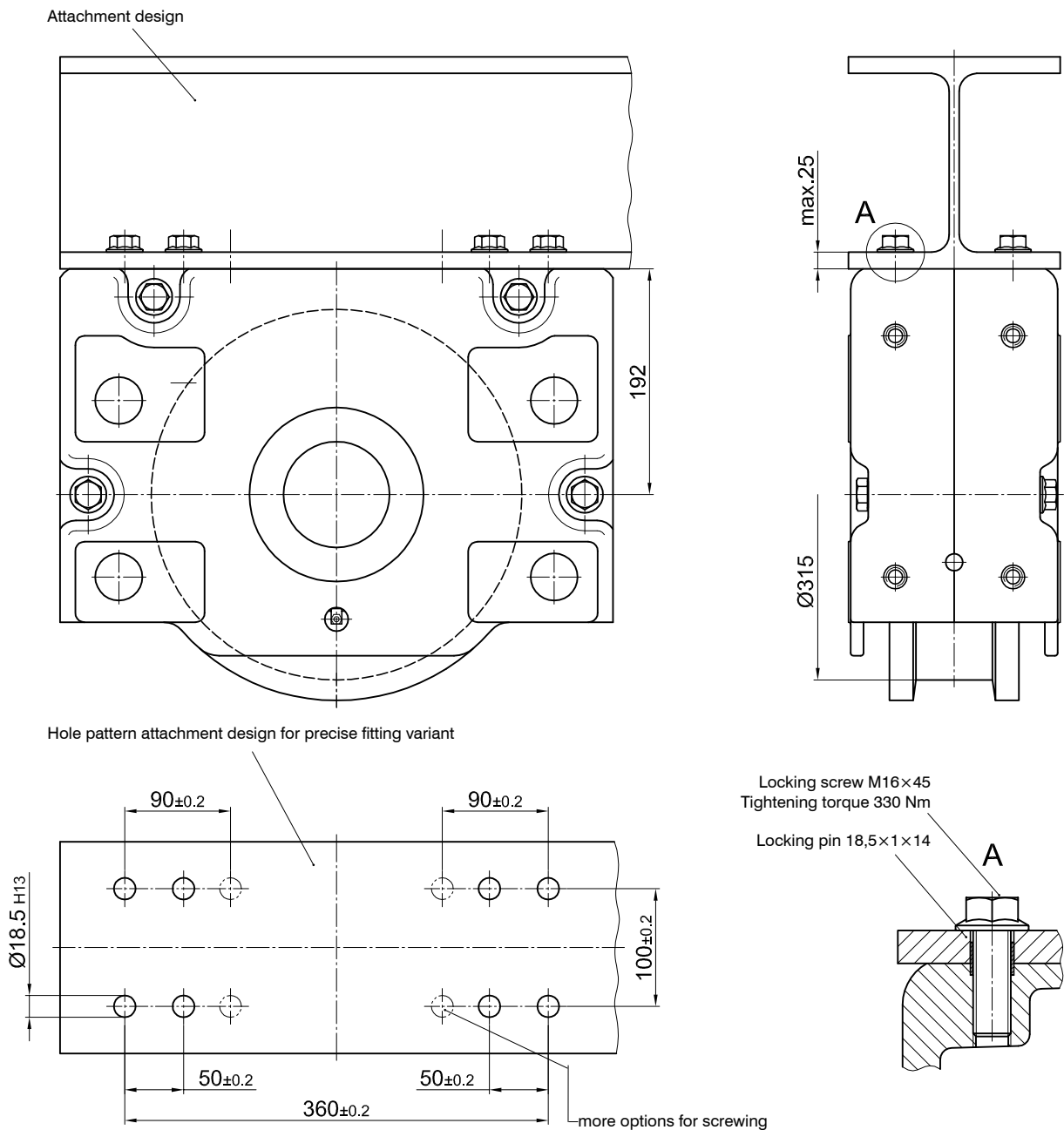
Top connection using locking screws for installation in accurately drilled connecting constructions. No adjustment of the wheel blocks is required.

#### 1 Set KA 315.1 comprising of:

- 8 Locking screws M16×45-10.9
- 8 Locking pins 18,5×1×14

Mounting parts for larger steel plate thicknesses and/or adjustable direct connection are available on request.

For the directional version refer to the pattern of drilling KA 315.2 (Page 106).



# Wheel block RB 315

## Connection options

### Top connection KA 315.2

Precisely fitted or adjustable direct attachment as bolted connection (welded construction, roll section, etc.)

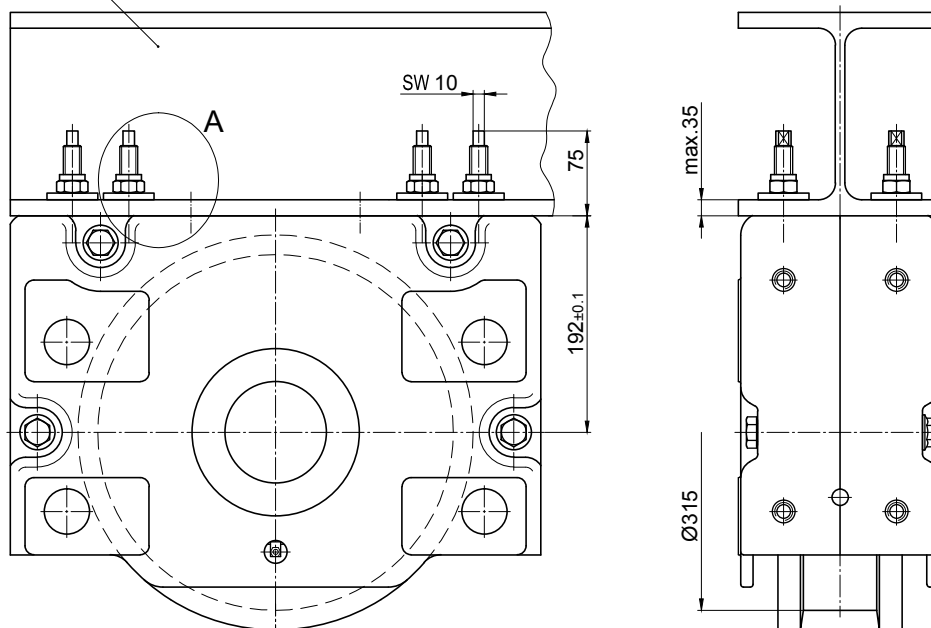
Top connection using locking pins for installation in attachment design with precisely or larger drilled attachment holes  
 For larger drilled attachment holes, the wheel block must be aligned. Subsequently, the wheel block is attached by bolts and should be drilled with the locking pins 8×24 supplied. However, this must not be in the area of the attachment bolts [1]. Alignment is not required for precisely drilled attachment holes.

#### 1 Set KA 315.2 comprising of:

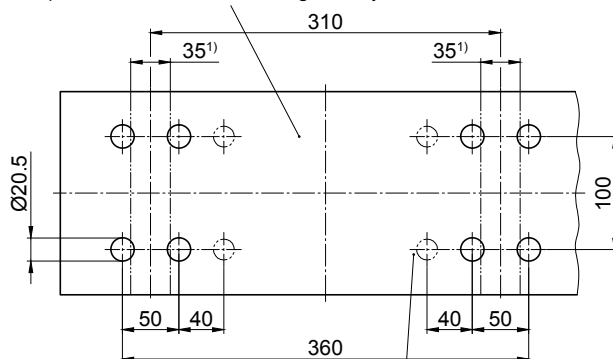
- 8 Grub screws M16×105 - 10.9 ZT
- 8 Safety nuts M16-10 DIN EN ISO 7042 (DIN 980)
- 8 Discs 17 DIN 6340
- 4 Locking pins 8×24 DIN EN ISO 8752 (DIN 1481), for adjustable connection
- 8 Locking pins 18,5×1×14, for precise connection

Longer locking pins are available for thicker plates.

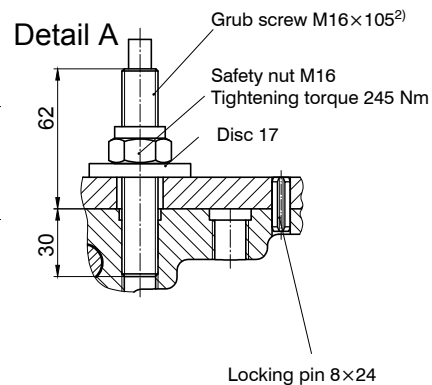
Attachment design



Hole pattern for the attachment design for adjustable variant



more options for screwing



- 1) Pinning is not permitted in this area !
- 2) Can be factory-glued in the wheel block housing on request.

# Wheel block RB 315

## Connection options

### Pin attachment BA 315.1

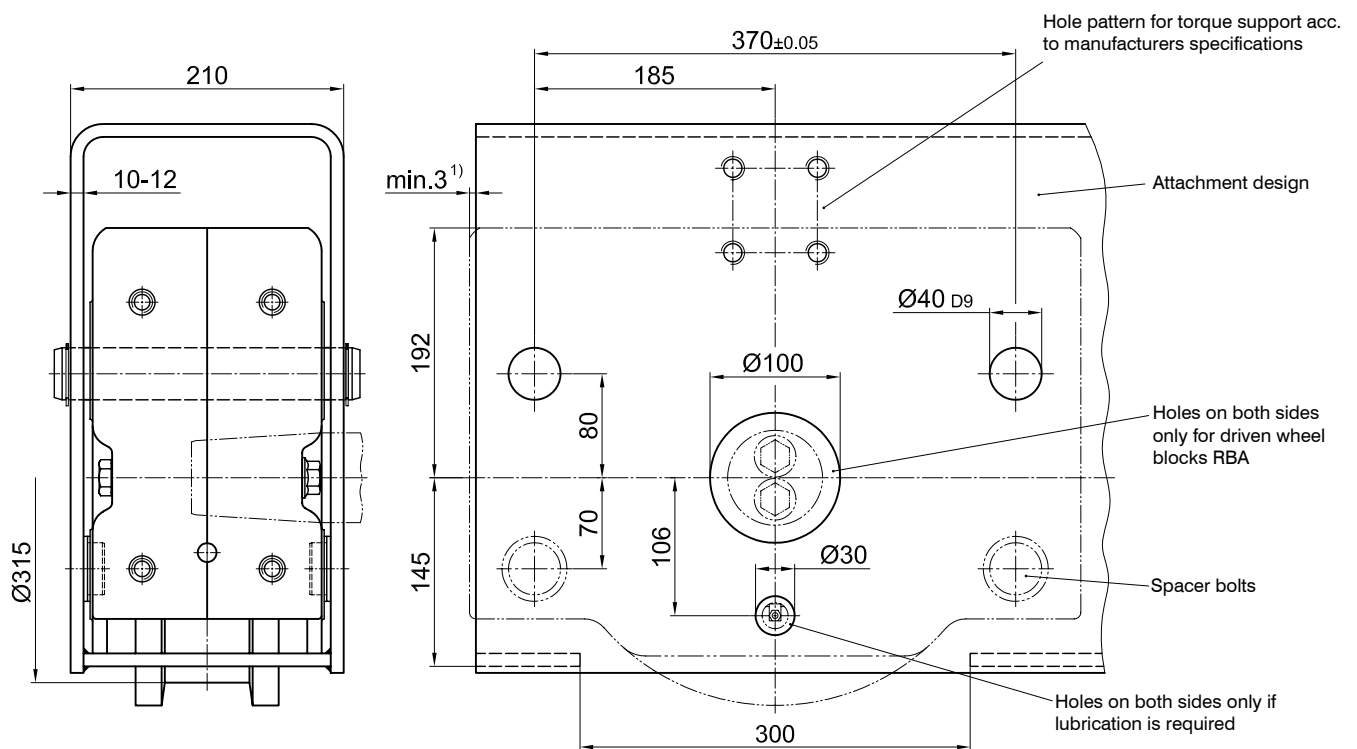
Pin attachment is adapted to the installation in hollow profiles, floating levers, etc. by means of adjusting washers.

Pin attachment with alignment option using adjusting washers. Alignment option by replacing the adjusting washers only in dismantled condition.

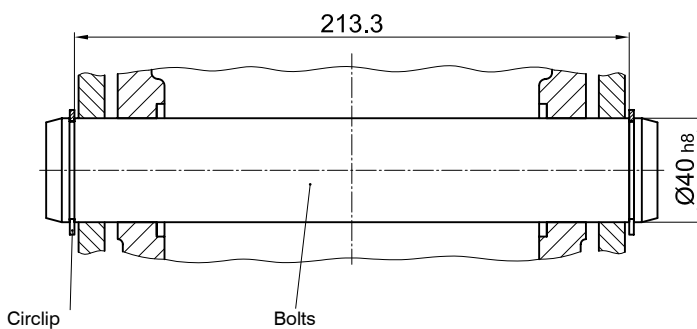
#### 1 Set BA 315.1 comprising of:

- 2 Bolts  $\text{Ø}40\text{h}8 \times 235$
- 4 Circlipse  $40 \times 1,75$ , DIN 471
- 4 Spacer bolts
- 16 Adjusting washers  $40 \times 50 \times 0,5$ , DIN 988

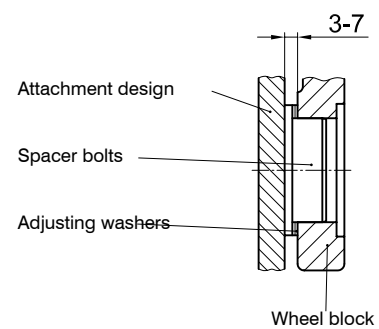
Pin connections are available in special design according to the customer drawing.



#### Upper suspension mounting



#### Lower support



1) Dimension must be observed only with front mounting parts

# Wheel block RB 315

## Connection options

### Pin attachment BA 315.2

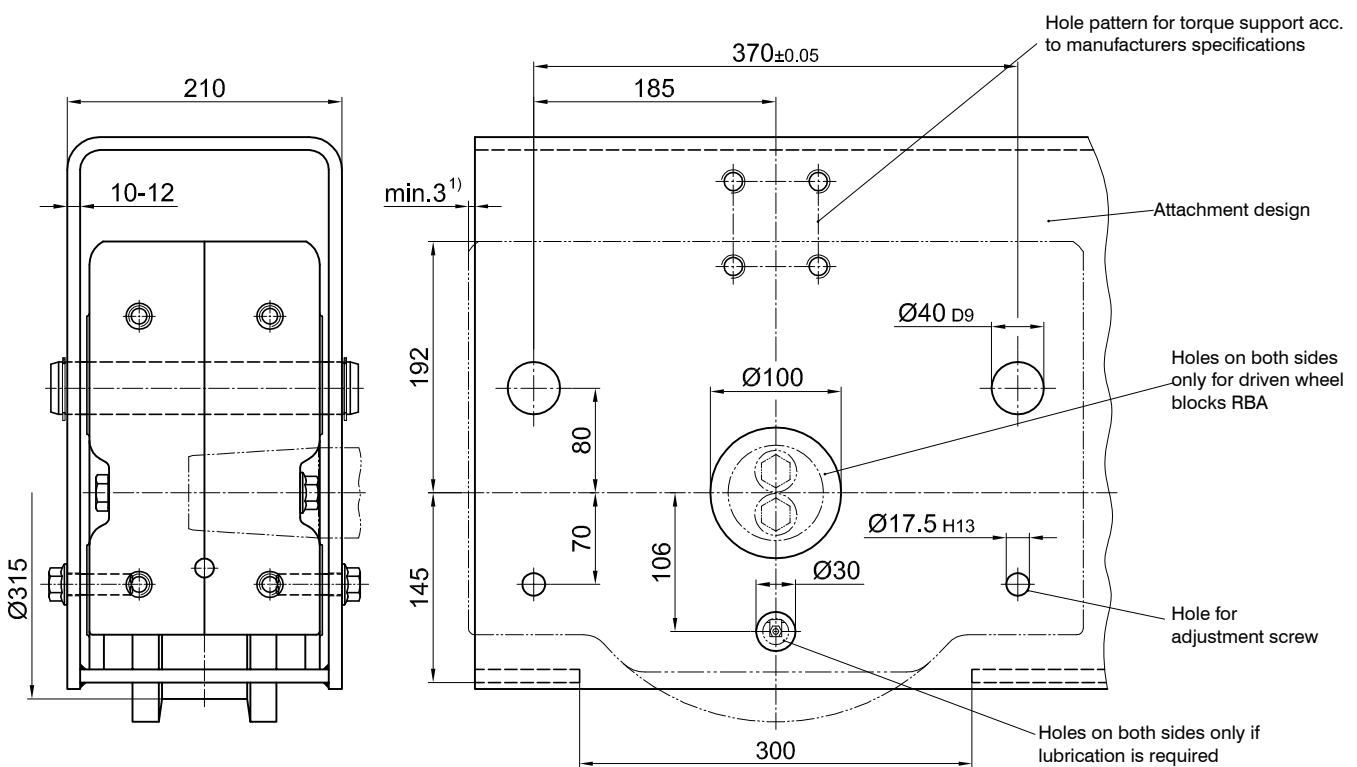
Adjustable pin attachment for installation in hollow profiles, floating levers, etc.

Pin connection with option to align using adjustable hexagon screws. The alignment is done in assembled and relieved mode.

#### 1 Set BA 315.2 comprising of:

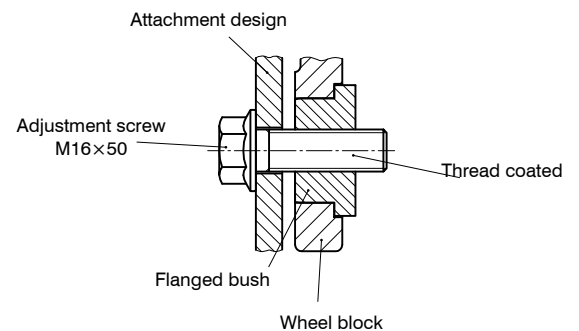
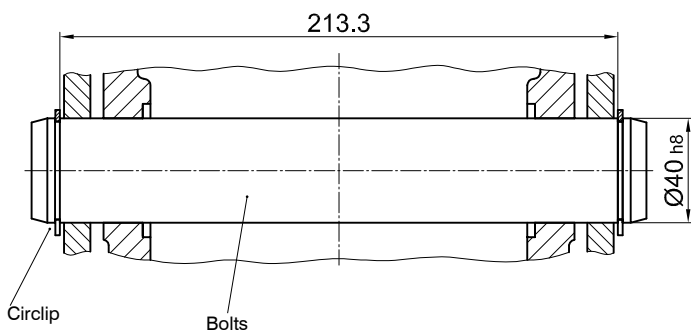
- 2 Bolts  $\text{Ø}40$  h8 x 235
- 4 Circlipse  $40 \times 1,75$ , DIN 471
- 4 Flange bushings with internal thread (bonded)
- 4 Locking screws M16 $\times$ 50 (coated)

Pin connections are available in special design according to the customer drawing.



Upper suspension mounting

Lower support



1) Dimension must be observed only with front mounting parts

# Wheel block RB 315

## Connection options

### Pin attachment BA 315.3

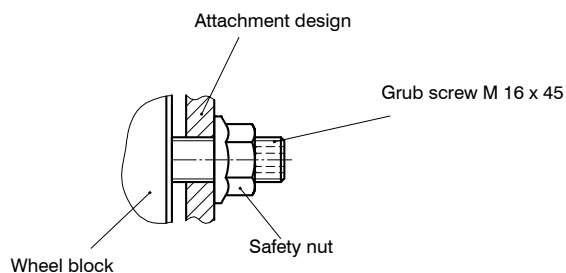
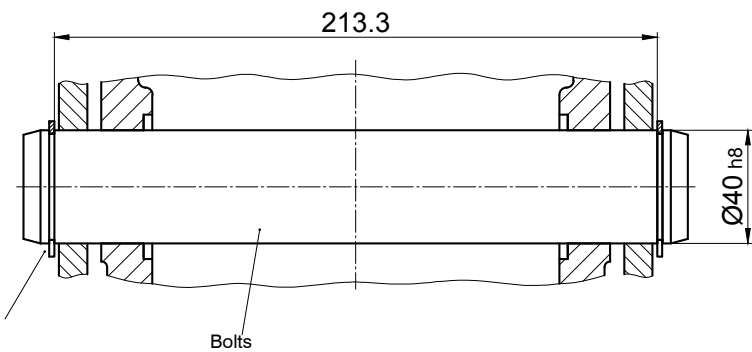
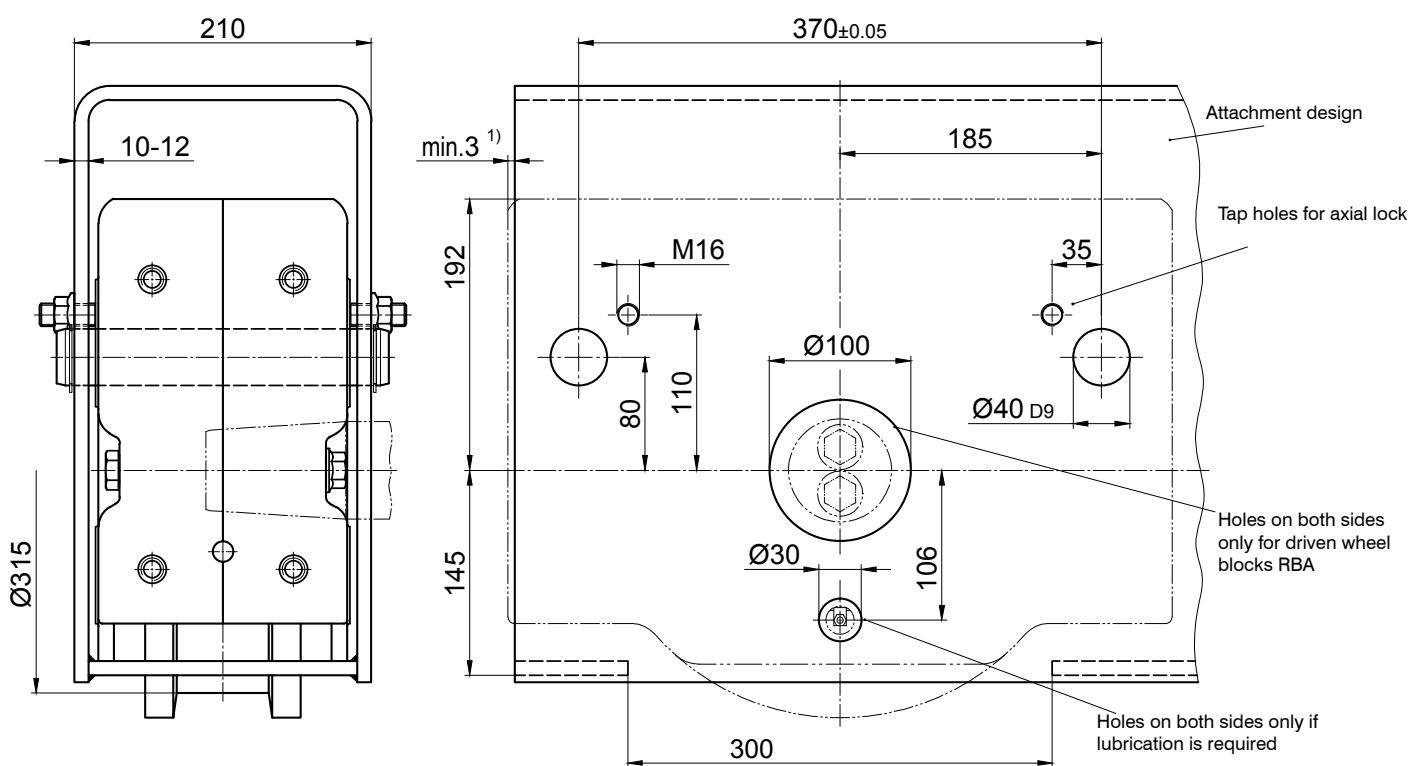
Pin connection adjustable by grub screws for installation in hollow profiles, swingarms, etc.

Pin connection with alignment possibility by adjustable grub screws. The alignment is done in assembled and relieved mode.

#### 1 Set BA 315.3 comprising of:

- 2 Bolts  $\text{Ø}40$  h8 x 235
- 4 Circlipse  $40 \times 1,75$  DIN 471
- 4 Grub screws with hexagon socket M 16  $\times 45$ -45H DIN EN ISO 4026 (DIN 913)
- 4 Safety nuts M 16-10

Pin connections are available in special design according to the customer drawing.



1) Dimension must be observed only with front mounting parts





# Wheel block RB 315

## Connection options

### Side connection WA 315

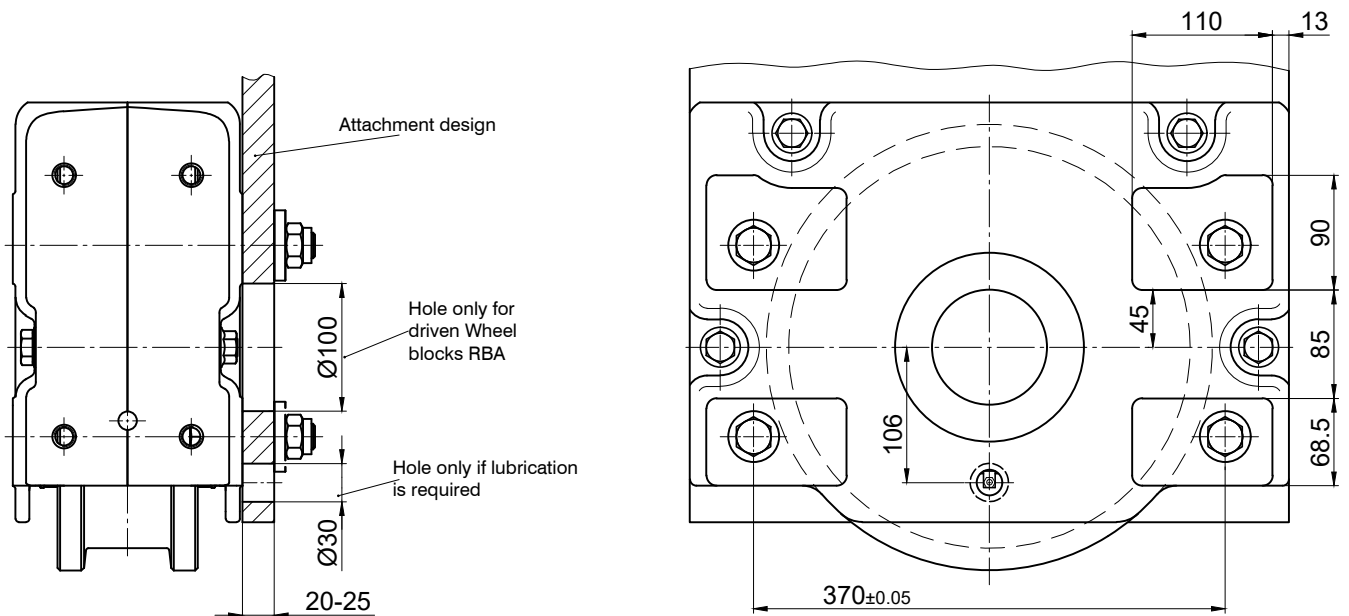
Lateral connection option for low construction designs

- 1 Set WAA 315 (Side connection on the drive side)
- 1 Set WAN 315 (Side connection on the non-driven side)
- 1 Set WA 315 (Side connection on non-driven wheel block RBN) comprising of:

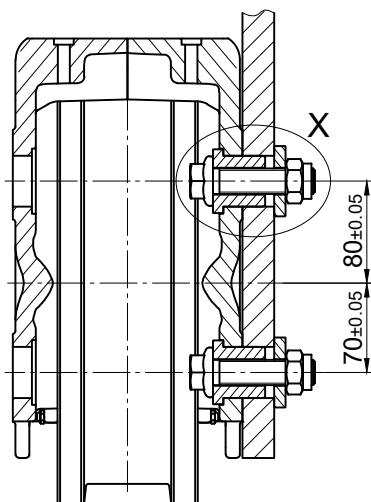
- 4 Flanged bushings  $\varnothing 40$  (bonded)
- 4 Locking screws M 20 $\times$ 80 – 12.9
- 4 Safety nuts M 20-10, DIN EN ISO 7042 (DIN 980)
- 4 Discs 21

### Attachment variant 1:

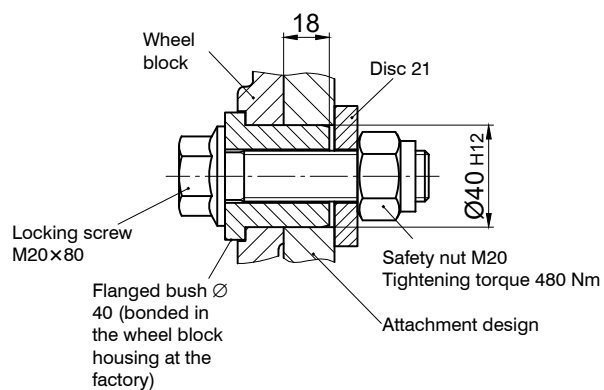
Attachment design is accessible from both sides  
Trough-hole  $\varnothing 40$ H12



### sectional view



### Detail X



# Wheel block RB 315

Connection options

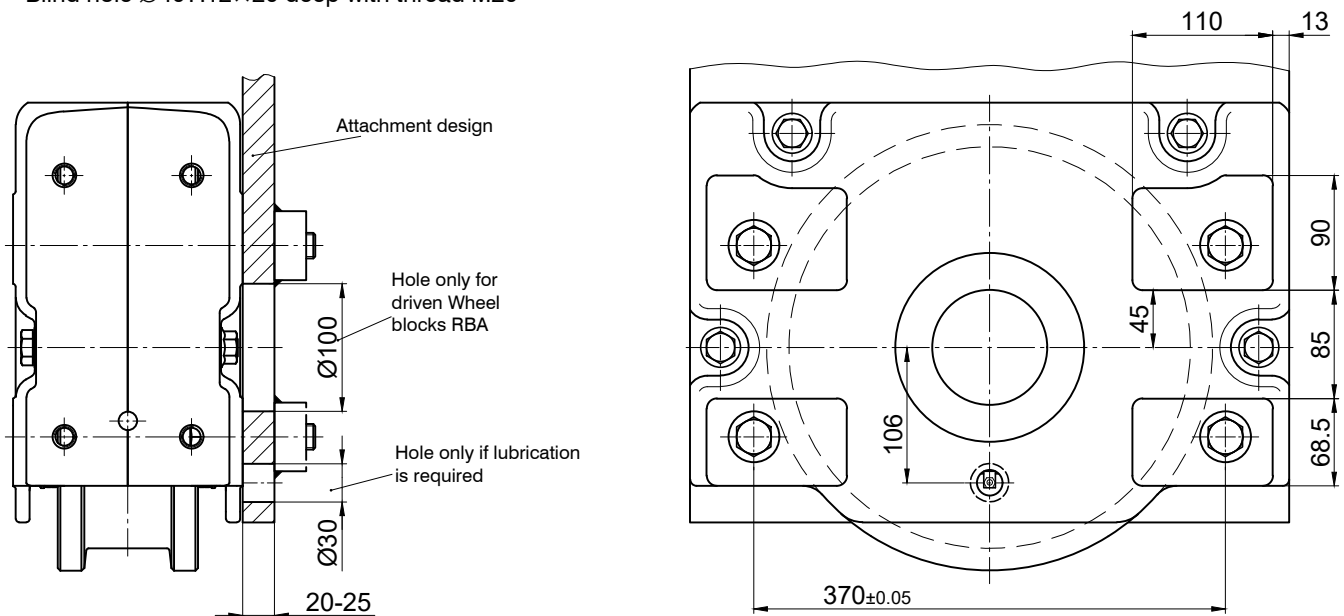
## Side connection WA 315

Lateral connection option for low construction designs

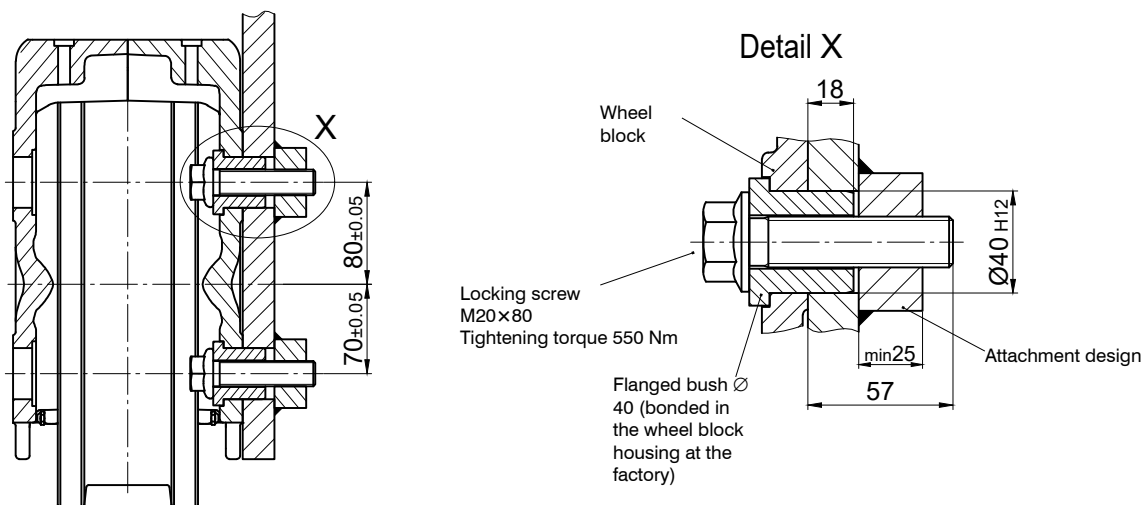
### Attachment variant 2:

Attachment design (e.g. hollow profile) is not accessible from the inside

Blind hole  $\varnothing 40$  H12x20 deep with thread M20



### sectional view

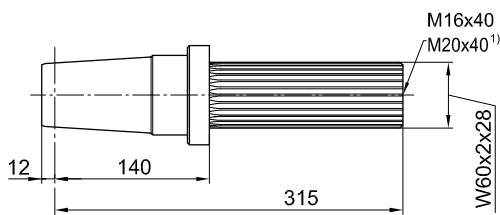
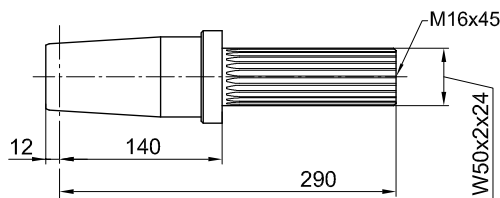
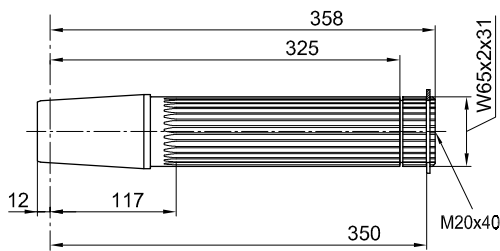
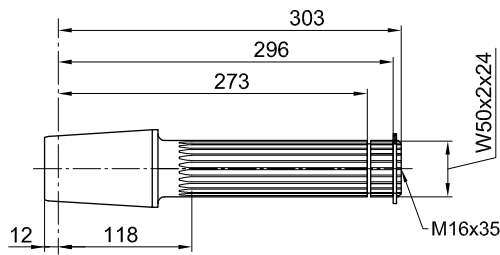


# Wheel block RB 315

Drive shafts suitable for slip-on gear mechanisms from other manufacturers on request.

## Single drive unit

Drive shaft suitable for slip-on gear mechanism with splined-shaft profile in accordance with DIN 5480



Slip-on gear mechanism		
Model	Manufacturer	Splined-shaft profile in acc. with DIN 5480
AF 08	DEMAG	W50 x 2 x 24
AUK 50		

AF 10	DEMAG	W65 x 2 x 31
AUK 60		

F.A.T 68 B	SIEMENS (FLENDER)	W50 x 2 x 24
KA.T 68		
CA.T 68		

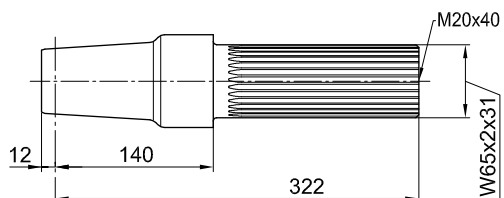
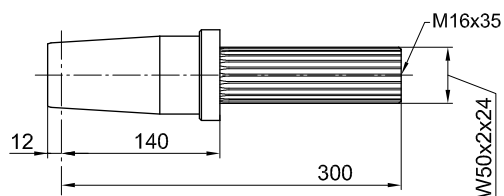
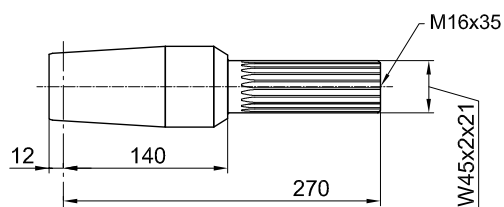
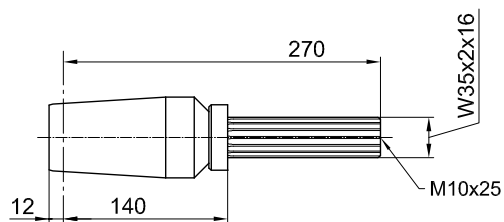
F.A.T 88 B	SIEMENS (FLENDER)	W60 x 2 x 28
KA.T 88		
CA.T 88		
SK 5282 EA <sup>1)</sup>	NORD	

# Wheel block RB 315

Drive shafts suitable for slip-on gear mechanisms from other manufacturers on request.

## Single drive unit

Drive shaft suitable for slip-on gear mechanism with splined-shaft profile in accordance with DIN 5480



Slip-on gear mechanism		
Model	Manufacturer	Splined-shaft profile in acc. with DIN 5480

FV 57 / KV 57	SEW	W35 x 2 x 16
---------------	-----	--------------

FV 67 / KV 67	SEW	W45 x 2 x 21
SPZT / SKZT 36..	PREMIUM STEPHAN	

FV 77 / KV 77	SEW	W50 x 2 x 24
SK 4282 EA	NORD	
SPZT / SKZT 46..	PREMIUM STEPHAN	

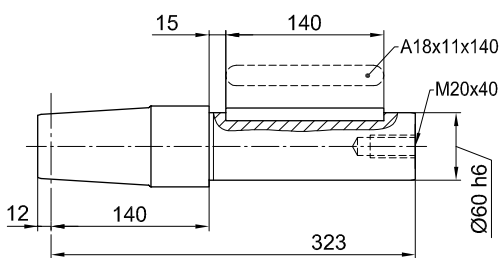
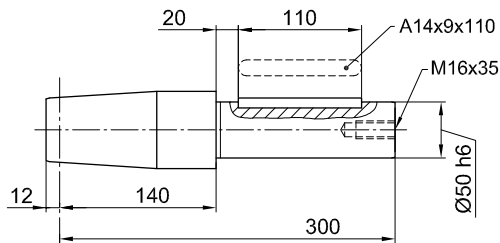
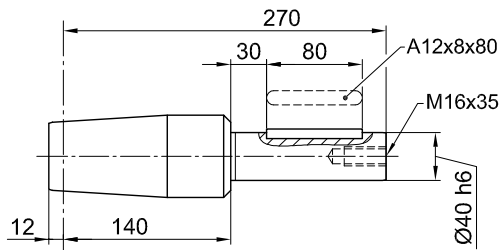
FV 87 / KV 87	SEW	W65 x 2 x 31
SPZT / SKZT 56..	PREMIUM STEPHAN	

# Wheel block RB 315

Drive shafts suitable for slip-on gear mechanisms from other manufacturers on request.

## Single drive unit

Drive shaft suitable for slip-on gear mechanism with feather key connection in accordance with DIN 6885



Slip-on gear mechanism		
Model	Manufacturer	Shaft journal

FA 57 / KA 57 FA 67 / KA 67 SA 67	SEW	Ø 40
SK 3282 AB	NORD	
FDA / FZA 68 B KA 68 / CA 68	SIEMENS (FLENDER)	
O / C 62..G O / K 63..G	SIEMENS	
GFL 06..H GKS 06..H GSS 06..H	LENZE	
K4..A	STÖBER	
SPZH / SKZH 36..	PREMIUM STEPHAN	

FA 77 / KA 77 SA 77	SEW	Ø 50
SK 4282 AB	NORD	
FDA / FZA 88 B KA / CA 88	SIEMENS (FLENDER)	
O / C 82..G O / K 83..G	SIEMENS	
GFL 07..H GKS 07..H GSS 07..H	LENZE	
K 5 / K6..A	STÖBER	
SPZH / SKZH 46..	PREMIUM STEPHAN	

FA / KA / SA 87	SEW	Ø 60
SK 5282 AB	NORD	
FDA 108 B FZA 108 B KA 108	SIEMENS (FLENDER)	
O 102..G O 103..G K 103..G	SIEMENS	
GFL / GKS 09..H	LENZE	
K7..A	STÖBER	
SPZH / SKZH 56..	PREMIUM STEPHAN	

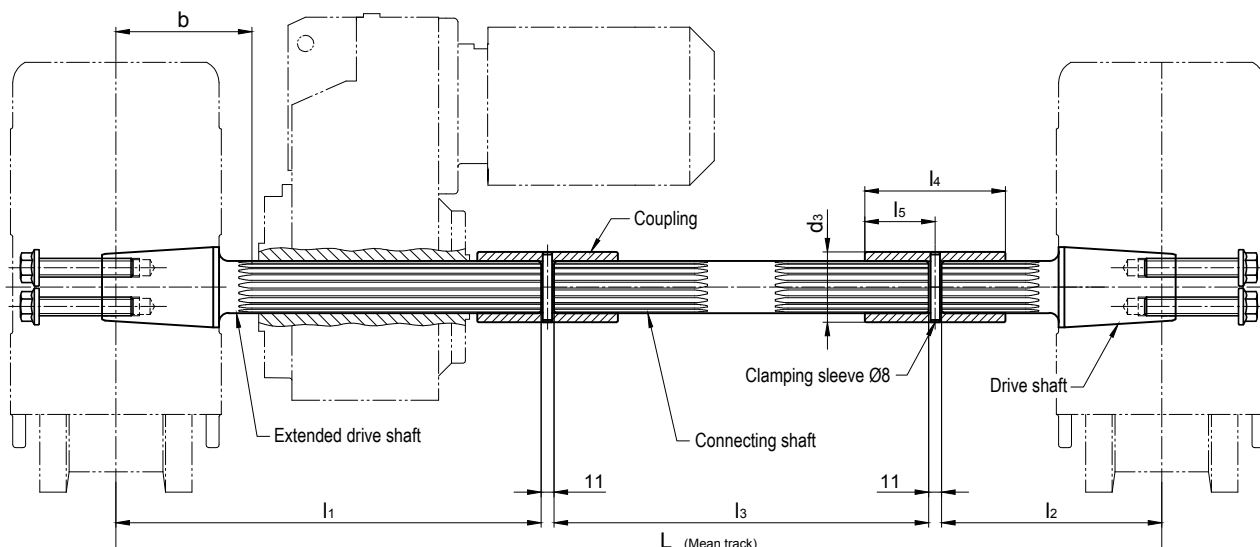


# Wheel block RB 315

Drive shafts suitable for slip-on gear mechanisms from other manufacturers on request.

## Central drive unit

Both wheel blocks are driven with only one gear motor  
(Splined-shaft profile, feather key connection and shrink disc attachment)



Model	Manufacturer	Splined-shaft-profile DIN 5480	L	I1	I2	I3	Centre RB to gearing b	I4	I5	d3	Clamping sleeve DIN 1481
AF 08 AUK 50	DEMAG	W50 x 2 x 24	For ordering, please provide	420	178	Dimensi- on L minus 620	118	120	60	65	8 x 65
FV 77 KV 77	SEW										
F.A.T 68B KA.T 68 CA.T 68	SIEMENS (FLENDER)										
SK 4282 EA SK 9032.1AZE A	NORD										
SPZT 46.. SKZT 46..	PREMIUM STEPHAN										
F.A.T 88B KA.T 88 CA.T 88	SIEMENS (FLENDER)	W60 x 2 x 28		450	178	Dimensi- on L minus 650	117	125	62,5	75	8 x 75
SK 5282EA	NORD										
AF 10 AUK 60	DEMAG	W65 x 2 x 31		445	178	Dimensi- on L minus 645	117	125	62,5	80	8 x 80
FV 87 KV 87	SEW										
SK 9042.1A.EA	NORD										
SPZT 56.. SKZT 56..	PREMIUM STEPHAN										

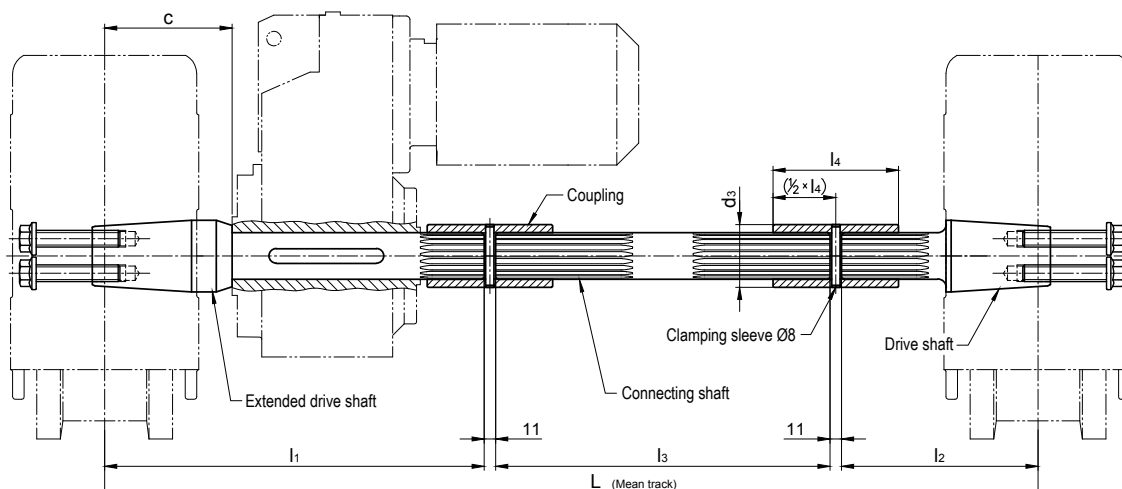


# Wheel block RB 315

Drive shafts suitable for slip-on gear mechanisms from other manufacturers on request.

## Central drive unit

Both wheel blocks are driven with only one gear motor  
(Splined-shaft profile, feather key connection and shrink disc attachment)



For gearboxes with hollow shaft and feather key connection in acc. with DIN 6885

Suitable for gearboxes with hollow shaft		L	l1	l2	l3	c gearbox stop	Feather key DIN 6885	Coupling Internal gearing/ d3 x l4
Inner-Ø	Length							
Ø 40	≤ 185	For ordering, please provide	385	178	Dimension L minus 585	140	A 12 x 8 x 100	N40 x 2 x 18 Ø 55 x 100
Ø 50	≤ 210		420	178	Dimension L minus 620	140	A 14 x 9 x 110	N50 x 2 x 24 Ø 65 x 120
Ø 60	≤ 240		450	178	Dimension L minus 650	140	A 18 x 11 x 110	N50 x 2 x 24 Ø 65 x 120

Suitable for gearboxes of the following manufacturers:

Siemens Motox (Flender), Bauer (Danfoss), KEB, Lenze, Nord, PREMIUM STEPHAN, SEW, Siemens, Stöber, Demag

Et.al. suitable type designations, refer to the single drive unit.

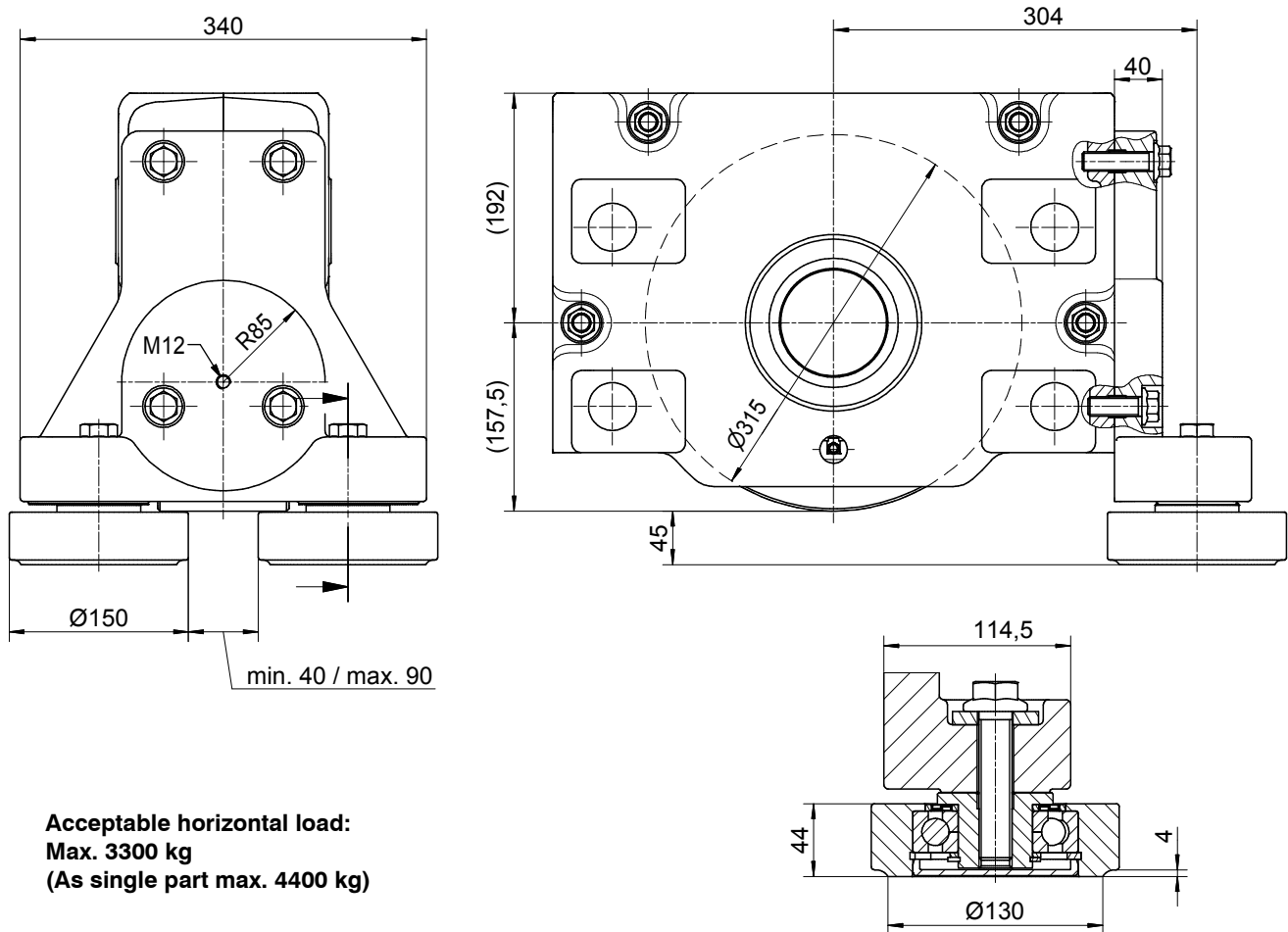
Drive shafts without gearbox stop and with adapted distance (c) on request.

# Wheel block RB 315

## Horizontal roller guide for wheels of $\varnothing 315$ (Form 1-5)

Horizontal roller guide with adjustable guide rollers made of 42CrMo4+QT.

The installation of a cellular plastic buffer (page 144) is possible without spacer discs. Parallel operating wheel blocks without horizontal roller guide can be installed with spacer discs for length compensation (see fig.).



**Acceptable horizontal load:**  
Max. 3300 kg  
(As single part max. 4400 kg)

All necessary fastening elements are included in the scope of delivery.

Horizontal roller guide for other rail profiles are available on request.

# Wheel block RB 315

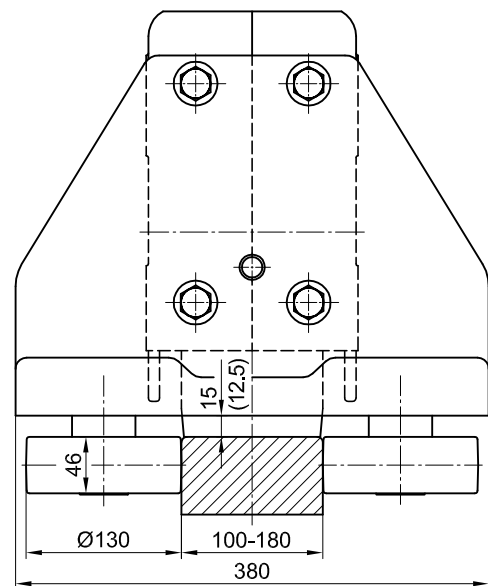
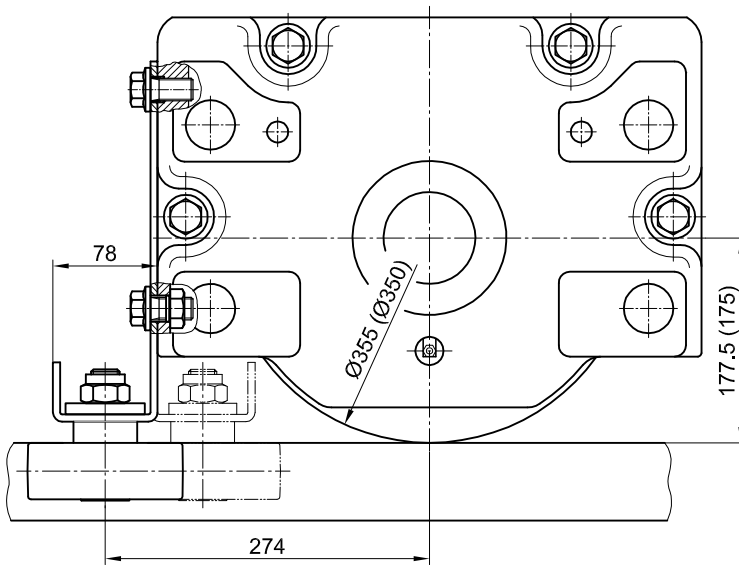
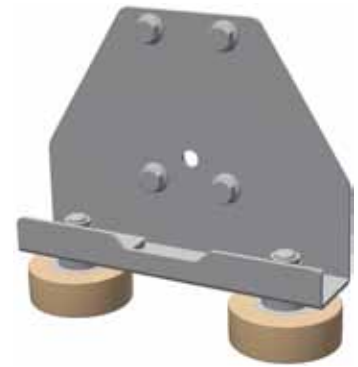
## Horizontal roller guide

for wheels of  $\varnothing 355$  and  $\varnothing 350$

with coating made of vulkollan or PA12G

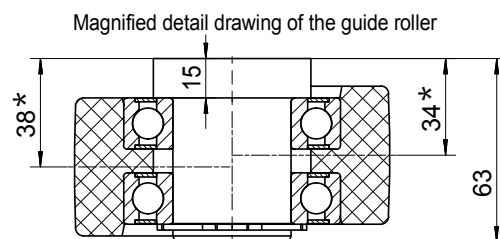
Horizontal roller guide with adjustable guide rollers made of PA12G.

The installation of a cellular plastic buffer is possible by using an additional spacer discs.



Acceptable continuous load: 1000 kg

Maximum short-term load: 1500 kg



By turning the unsymmetrical guide roller, two clearances\* can be adjusted.

All necessary fastening elements are included in the scope of delivery.

Horizontal roller guide for other rail profiles are available on request.